

## CERTIFICATION



HACCP International



ISO9001

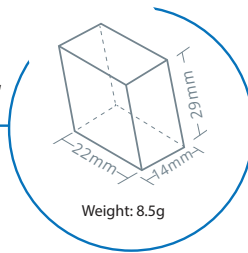
# ICE MATE

by  HOSHIZAKI

## SRM-650AB-14-B-801SA

### ICE MAKER

#### HALF DICE



ICEMATE is committed to bringing high-efficiency / energy-saving, and high quality ice-making product to people who have dreams and desire to create their own business with the best scientific technology and manufacturing technology.

### KEY FEATURES

#### SAFETY AND HYGIENE ASSURED ICE MACHINE

##### AUTO-CLEANING



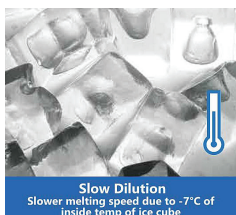
Timely maintenance of water system can extend life of equipment.

##### PURE ICE



Overflow self-cleaning function, ensuring ice hygiene

IoT



**Slow melt Dilution**

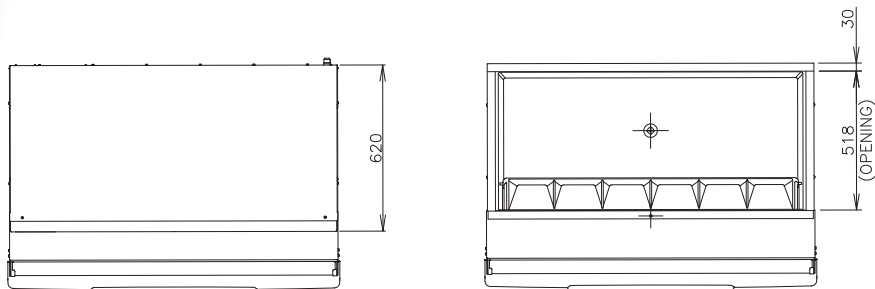


**Powerful Ice Making**



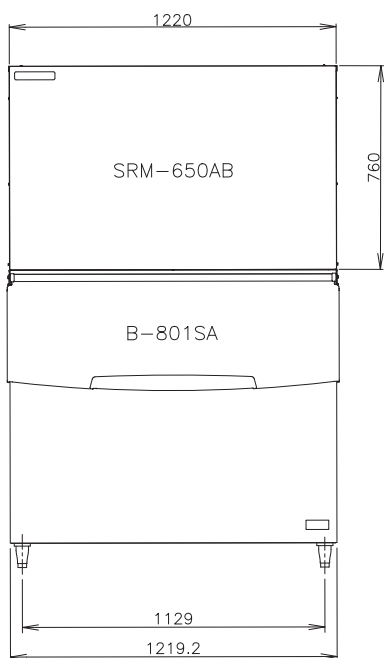
**Energy & Water Saving, Quiet Operation**

**BIN TOP VIEW**

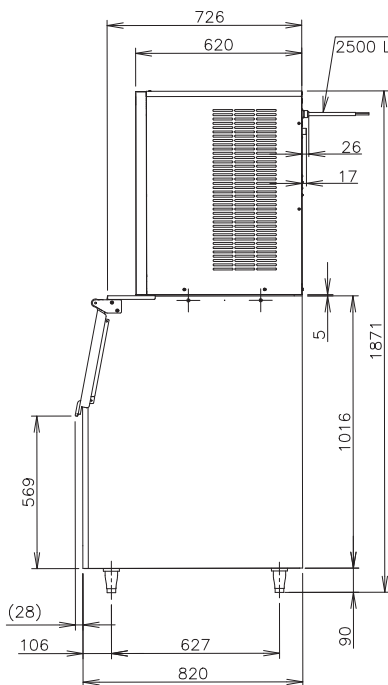


BIN TOP VIEW

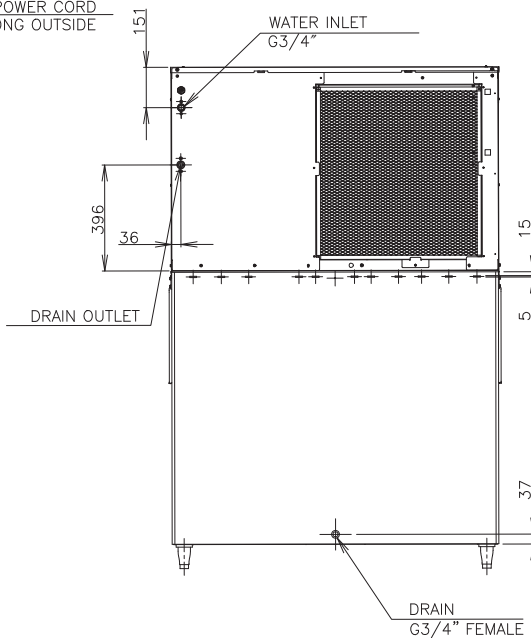
**FRONT SIDE**



**RIGHT SIDE**



**BACK SIDE**



**SPECIFICATIONS**

Ice Dimensions	Half Dice: 29mm*14mm*22mm		Ice water consumption per 24H	(AT32°C / WT21°C)	500L(1.0L/kg ice)
Outside Dimensions	1220mm(W) x 820mm(D) x 1871(~1901)mm(H)		Ice Production Freeze Cycle Time	(AT21°C / WT15°C)	Approx:14.5min
Package Dimensions	Ice Maker: Pallet + Carton:1325mm(W) x 720mm(D) x 945mm(H) Storage Bin: Pallet + Carton:1239mm(W) x 916mm(D) x 1142mm(H)		Ice Production per Cycle	(AT21°C / WT15°C)	Approx:6.14kg/754pcs
Weight (Net / Gross)	Ice Maker:	120kg/144kg			
	Storage Bin:	64kg/86kg			
Amperage/Starting Amperage	11.4A/85A				
Electrical Consumption	(AT32°C / WT21°C)	2334W			
Refrigerant Charge	R404A/1300g				
Ice Storage Capacity	Maximum: 348kg				
Ice Production per 24H	(AT10°C / WT10°C)	Approx:690kg			
	(AT21°C / WT15°C)	Approx:607kg			
	(AT32°C / WT21°C)	Approx:492kg			
<b>OPERATING CONDITIONS</b>					
Voltage Range			198-242V		
Ambient Temperature			5-38°C		
Water Supply Temperature			5-32°C		
Water Supply Pressure			0.07-0.55MPa(0.7-5.5bar)		
Supply Voltage			1 Phase 220V 50Hz		

